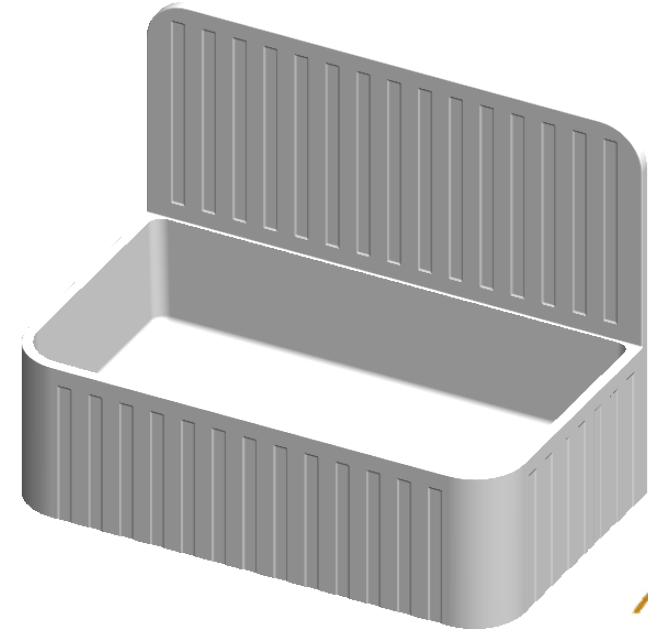
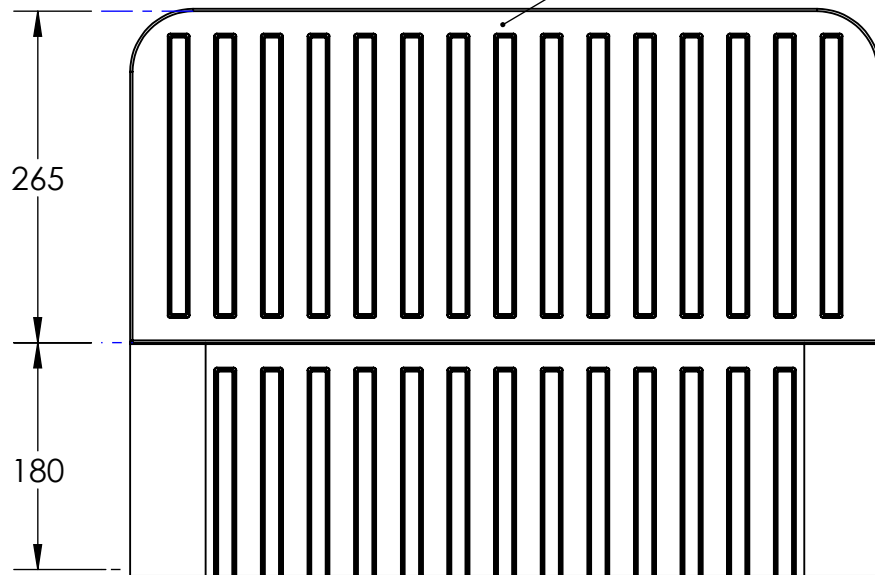


*Please note that any number of tap holes can be drilled into the backsplash at your specified spacing to accommodate your choice of taps. This should be done by your plumber during installation using a hole saw of the correct diameter.*



*Cilia wall mount basin*

